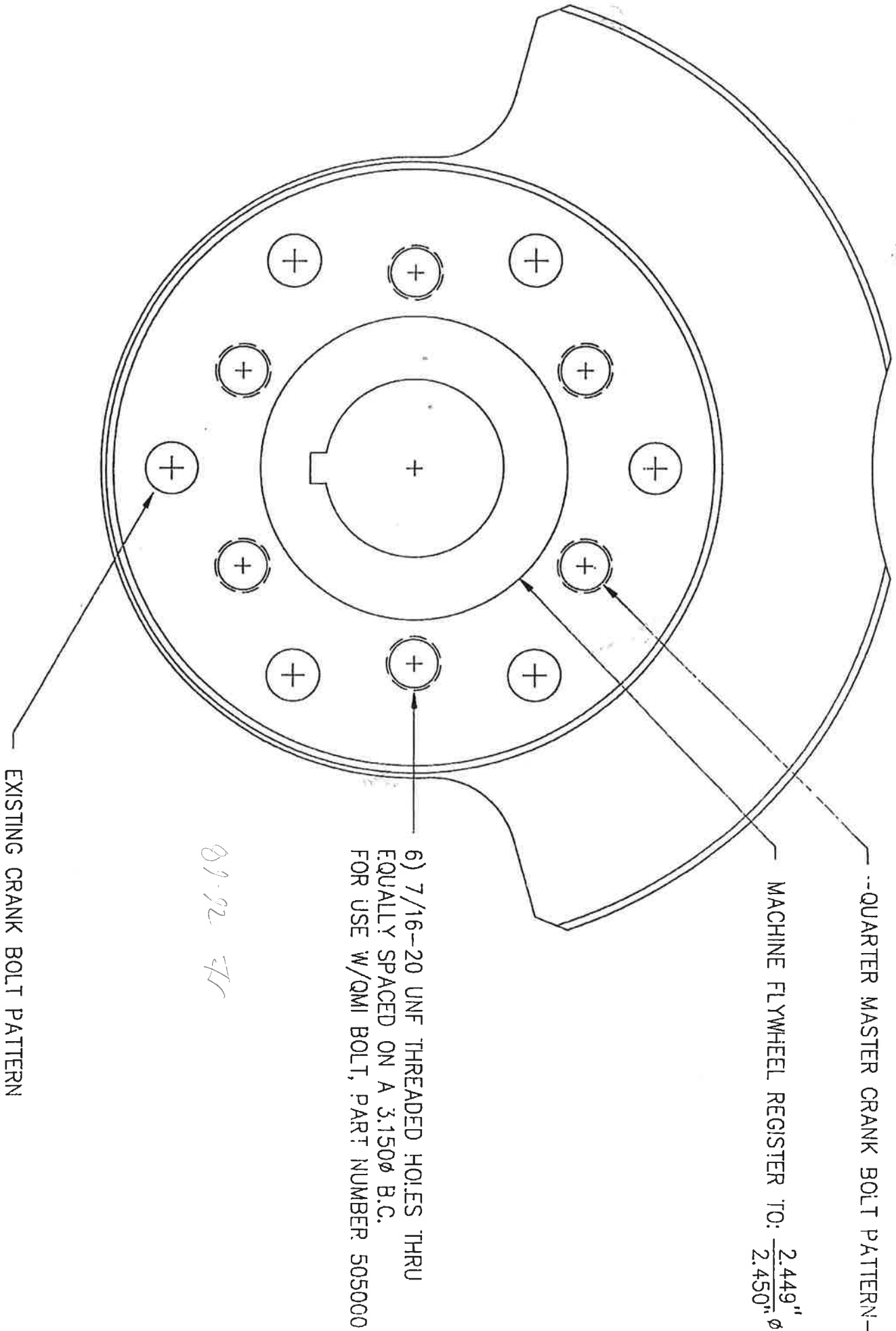


QUARTER MASTER FLYWHEEL ONLY



QUARTER MASTER CRANK BOLT PATTERN-

MACHINE FLYWHEEL REGISTER TO:  $\frac{2.449"}{2.450"} \text{ } \phi$

6) 7/16-20 UNF THREADED HOLES THRU  
EQUALLY SPACED ON A 3.1500" B.C.  
FOR USE W/QM1 BOLT, PART NUMBER 505000

EXISTING CRANK BOLT PATTERN

89-92 4/5